

# RNDE-B301A

2MP fixed IP Dome Camera

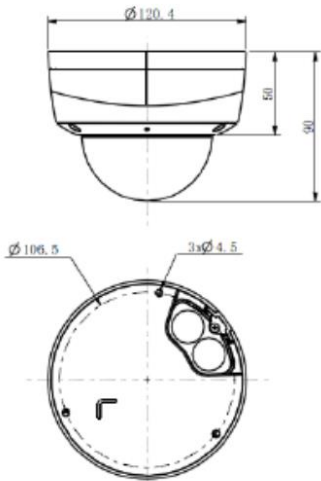
## SPECIFICATIONS



### KEY FEATURES

- Multi-codec (H.265, H.264, HJPEG ) Straming
- Intelligent Video Analysis
- PoE (Power over Ethernet) Support
- 2 Power ( DC 12V, PoE) Support
- Audio input Support
- 4mm fixed Lens Support
- IR Distance 20m

### DIMENSION (Unit : mm)



Features	RNDE-B301A		
<b>Camera</b>	Image Sensor	CMOS	
	Lens	4mm fixed Lens	
	Min. Illumination	Color 0.05 lux @ F1.4 (AGC ON) B/W 0 lux @ IR LED on	
	Day / Night	Dual ICR	
	WDR	Digital WDR	
	IR LEDs	8	
	IR Distance	20 m	
	Focus	-	
	Image Setting	Configurable Brightness, Saturation, Contrast, HLC, Smart Defog, corridor	
	<b>Video/ Audio</b>	Video Compression	H.265, H.264 HP/MP/BP, M-JPEG
		Resolution	60Hz: 1080p@30fps, 960p@30fps, 720p@60fps 50Hz: 1080p@25fps, 960p@25fps, 720p@50fps
Max. Frame Rate		30fps@1920x1080, 60fps@1280x720	
Multi-Streaming		3	
ROI (Region of Interest)		4 zones	
Privacy Mask		Yes (Up to 4)	
Motion Detection		Yes	
Video Analytics		Tripwire/Perimeter/Missing object/Crowd/ Loitering/Fast Moving/Parking	
Streaming on Motion		Yes	
Text Overlay		Yes	
Audio Compression		G.711A/G.711U/ADPCM/AAC	
Two-way Audio	No(only L)		
Audio Detection	Yes		
<b>Event</b>	Event Trigger	Motion Detection/IP Conflict/Port Alarm	
	Event Notification	Email,FTP	
	Pre/Post Event Buffering	NO	
<b>Interface</b>	Analog Video Out	NO	
	Audio In / Out	1 In / -	
	Alarm In / Out	NO	
	Storage	Micro SD (Up to 128 GB)	
<b>Network</b>	Ethernet	RJ-45 10/100BASE-T	
	Security	Password protection, IP Filter	
	Open Protocol	ONVIF (Profile S)	
	Protocol	IPv4/IPv6,HTTP,802.1x,FTP,SMTP,UPnP,SNMP,DNS,DDNS,NTP,RTSP,TCP,UDP,DHCP,PPPoE	
	Web Viewer	IE8, IE10, IE11, Chrome42 under version,Firefox3.5+,safari	
	Video Management Software	Mobile App (iPhone, iPad, Android)	
	Max. Connections	4 Level/8 Users	
	<b>General</b>	Power Source	DC 12V±10%, PoE
Max. Power Consumption		4.7W	
Max. Input Current		360mA (DC 12V), 120mA (PoE)	
Operating Temperature / Humidity		-30°C ~ 60°C/ 0% ~ 95%RH	
Standard Approvals		KC, LVD, CE	
Language		Korean, Chinese, Japanese, English, Turkish, Spanish	
Color / Material		White / Diecasting	
Ingress Protection		IK10, IP66	
3-Axis		Manual	
Dimension (Ø x H)		120.4 mm X 90mm	
Weight		0.48 kg	