

RNAZ-BZ13A Wall Mount Bracket

PART 2 – PRODUCTS

2.01 DESCRIPTION

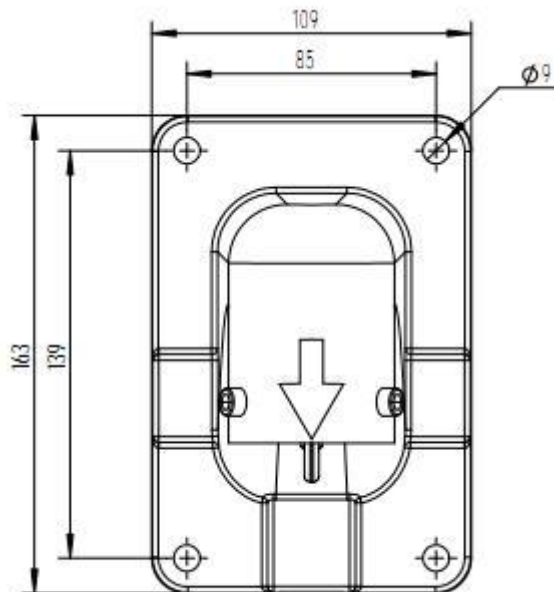
- A. Stainless Steel
- B. Assemble with Hexagon screw

2.01 PICTURE



2.02 DIMENSION

- C. Top



D. Side

